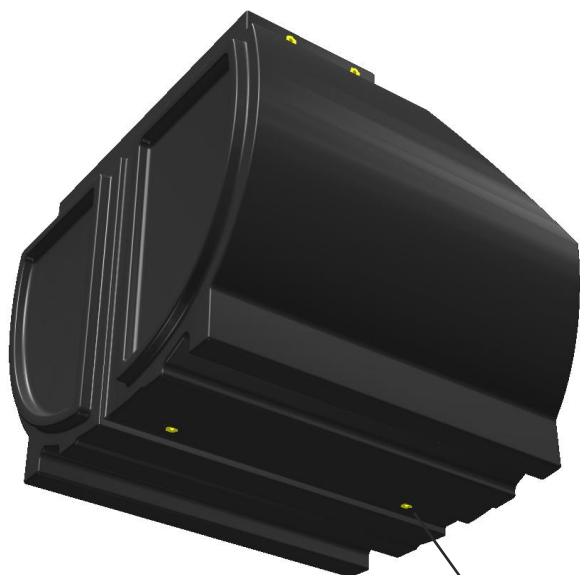
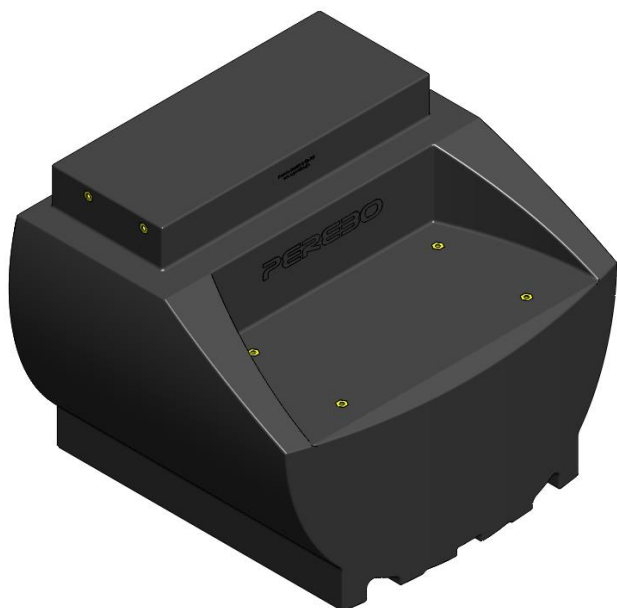
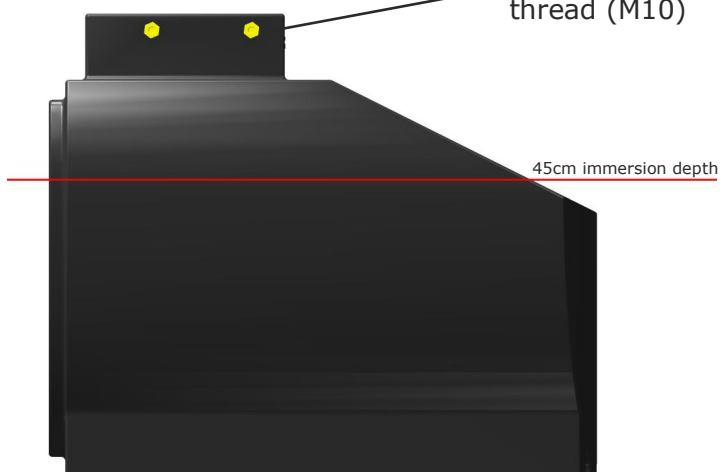


PEREBO float system PT06 Endpiece



integrated screw thread (M10)

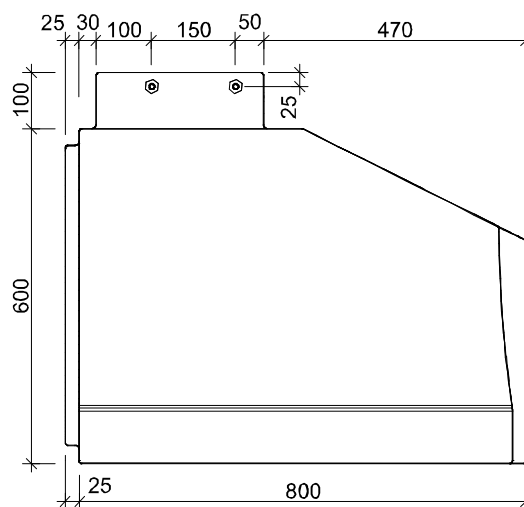


45cm immersion depth

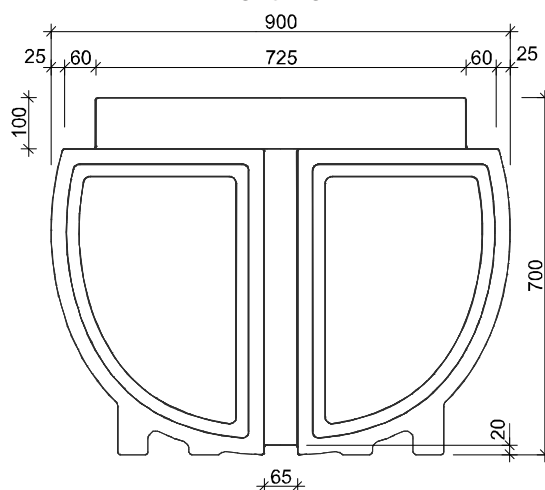
technical data	
dimensions L/W/H:	82,5 / 90,0 / 70,0cm
wall thickness :	approx. 8mm
self-weight:	approx. 27kg
material:	polyethylene
screw threads M10:	10x (4 on step, 4 lateral, 2 below)
standard color:	black
(other colors on request)	

load capacity (approx. values)	
immersion depth [cm]	load capacity [kg]
5,0	-7,0
10,0	18,0
15,0	46,0
20,0	76,0
25,0	108,0
30,0	143,0
35,0	175,0
40,0	210,0
45,0	237,0
50,0	258,0
(self-weight deducted)	
max. recommended immersion depth= 40-45cm	

side view



front view



Important note:

Please note that it may come to dimensional deviations as a result of production and at different outside temperatures.